

Bayonet Coupling Connector INB Series



Summary

The INB circular Bayonet coupling connector series was designed in accordance with VG95 234 specification. This highly reliable connector series is an improvement on the well established MIL-DTL-5015 type. The INB series has a proven bayonet coupling design that offers exceptional vibration protected sealing against fluid, and easy connection/disconnection.

Connectors in accordance with VG 95234 are interchangeable with the corresponding MIL-DTL-5015 connectors. Both connector lines feature the same shell dimensions and contacts layouts. However, due to the different coupling systems(MIL-DTL-5015 threaded coupling, VG 95234 bayonet coupling) they are not intermateable.

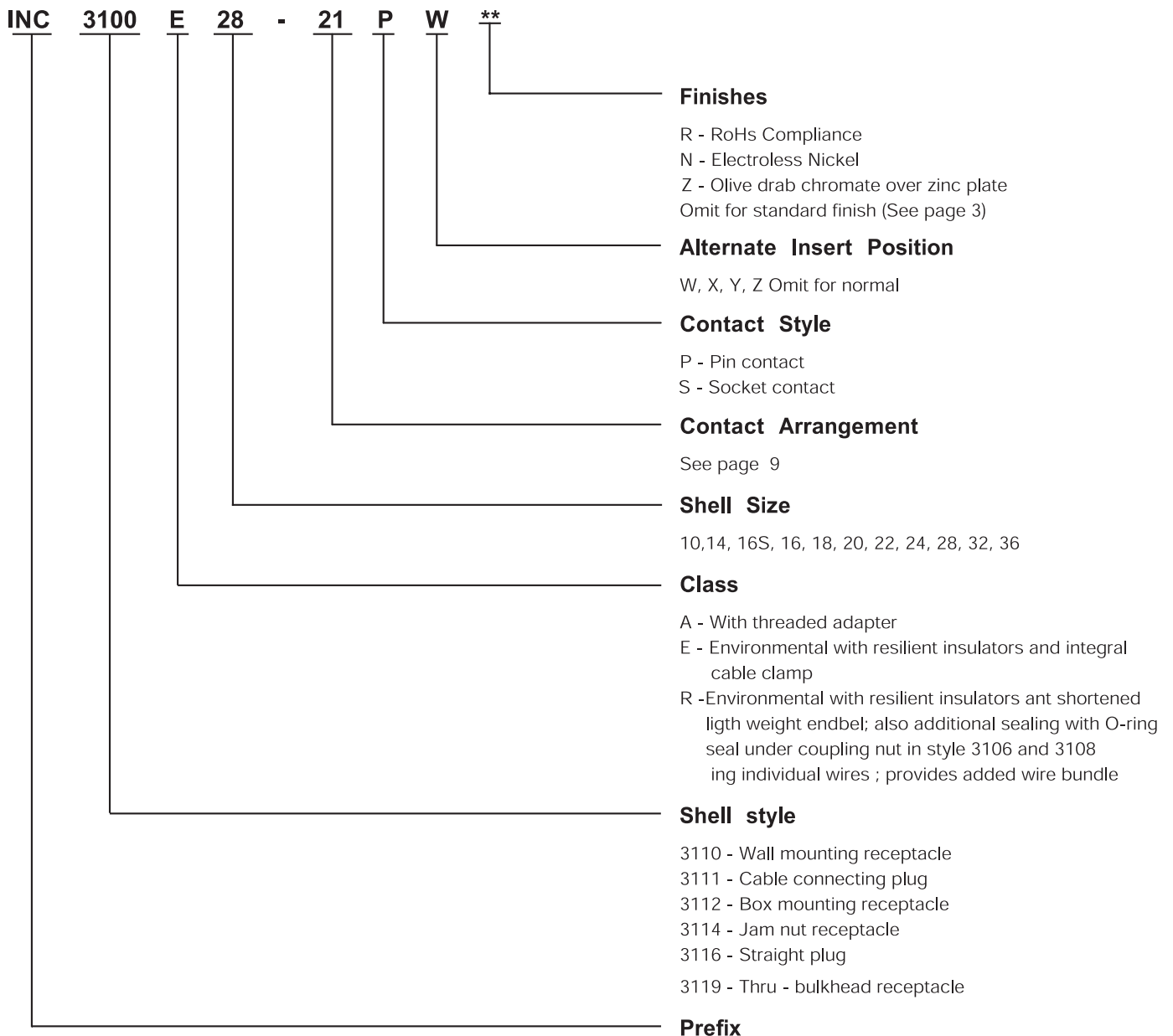
Contents

Ordering Information	Page 2
Technical Data	Page 3
INB3100A (Wall mounting receptacle)	Page 4
INB3100E (Wall mounting receptacle)	Page 4
INB3100R (Wall mounting receptacle)	Page 5
INB3101A (Cable Connecting Plug)	Page 5
INB3101E (Cable Connecting Plug)	Page 6
INB3101R (Cable Connecting Plug)	Page 6
INB3102A,E,R (Box mounting receptacle)	Page 7
INB3106A (Straight Plug)	Page 7
INB3106E (Straight Plug)	Page 8
INB3106R (Straight Plug)	Page 8
INB3108A (90 Angle Plug)	Page 9
INB3108E,R (90 Angle Plug)	Page 9
INB25042 (Plug Protection Cover)	Page 10
INB25043 (Receptacle Protection Cover)	Page 10
INC3057/MS3057 (Cable Clamp)	Page 11
INC3420/MS3420 (Rubber Bushing)	Page 11
Insert Arrangement Tables	Page 12
Contact Arrangements	Page 15
Alternate Insert Positions	Page 20

Bayonet Coupling Connector INB Series

Ordering information

How To Order



Bayonet Coupling Connector INB Series

Technical Data

Standard Materials & Finishes

Shell	Aluminum alloy, olive drab chromate coating over zinc plate
Insulator	Polychloroprene rubber
Grommet & Seal	Polychloroprene rubber
Contacts	Copper alloy, silver plate

Characteristics

Insulation Resistance	5,000MΩ Minimum (at 25 °C)
Temperature Range	-55°C To 125°C
Durability	500 Cycle connection / Disconnection
Water Proof	IP67

Electrical Data

Contact Size	Pin Contact Dia. (mm)	Solder Pot Dia. (mm)	Current (A) Rating	Contact Resistance		Wire Range Accommodations		
				Test Current (A)	Potential Milivolt Drop (Max.)	Wire Size (A.W.G)	Wire Nomal Square (mm ²)	Dielectric Material O.D
16	1.6	2.0	13	20	21	20, 18, 16	1.3	1.7 ~ 3.3
12	2.4	3.0	23	35	20	14, 12	3.5	2.9 ~ 4.3
8	3.6	5.2	46	60	12	10, 8	8.0	4.2 ~ 6.4
4	5.7	8.5	80	110	10	6, 4	22.0	7.0 ~ 9.4
0	9.1	12.0	150	200	10	2, 0	50.0	10.6 ~ 14.0

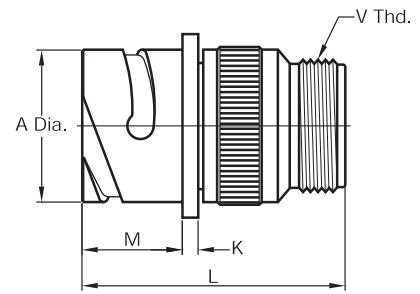
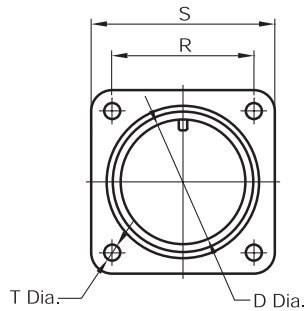
Service Rating	Dielectric Withstanding Voltage			
	Operating Voltage		Test Voltage AC(rms)	
	AC	DC	Sea Level	70,000(ft)
INST	200	250	1,000	260
A	500	700	2,000	360
D	900	1,250	2,800	400
E	1,250	1,750	3,500	440
B	1,750	2,450	4,500	480
C	3,000	4,200	7,000	560

Contact Mating End Size	Contact Engaging & Separating Forces		
	Force in Lbs.		
	Maximum	Average	Minimum
16	3.00	2.10	0.25
12	5.00	3.50	0.50
8	10.00	7.00	0.75
4	15.00	10.50	1.00
0	20.00	14.00	2.00

Bayonet Coupling Connector INB Series

Wall Mounting Receptacle

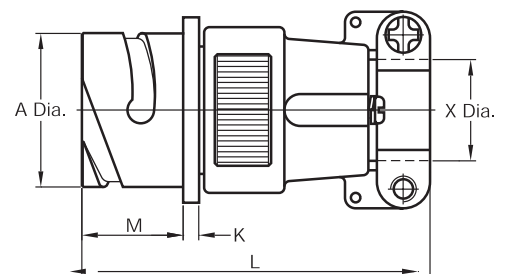
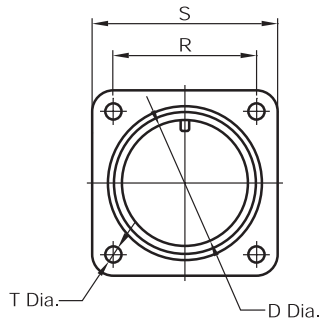
INB3100 Class A



Units : mm

Shell Size	A Dia. +0.00 -0.15	D Dia. +0.30 -0.00	K ±0.30	L Max.	M +0.40 -0.00	R ±0.12	S ±0.78	T Dia. +0.25 -0.12	V Thread Class 2A
10SL	18.20	11.40	2.30	38.88	14.20	18.26	25.40	3.05	5/8-24UNEF
14S	24.60	17.30	2.30	42.87	14.20	23.01	30.18	3.05	3/4-20UNEF
16S	27.40	20.60	2.50	42.87	14.20	23.01	32.54	3.05	7/8-20UNEF
16	27.40	20.60	2.50	52.37	19.00	24.61	32.54	3.05	7/8-20UNEF
18	30.80	23.80	3.00	52.37	19.00	26.97	34.93	3.05	1-20UNEF
20	34.20	26.90	3.00	55.57	19.00	29.36	38.10	3.05	1 3/16-18UNEF
22	37.40	30.00	3.20	55.57	19.00	31.75	41.28	3.05	1 3/16-18UNEF
24	40.90	33.20	3.20	58.72	20.60	34.93	44.45	3.73	1 7/16-18UNEF
28	46.70	38.80	3.60	58.72	20.60	39.67	50.80	3.73	1 7/16-18UNEF
32	53.40	45.20	4.20	61.92	22.20	44.45	57.15	4.39	1 3/4-18UNS
36	59.60	50.60	4.20	61.92	22.20	49.23	63.50	4.39	2 -18UNS

INB3100 Class E

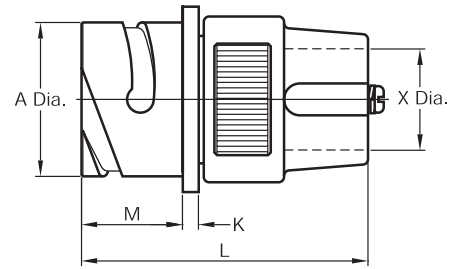
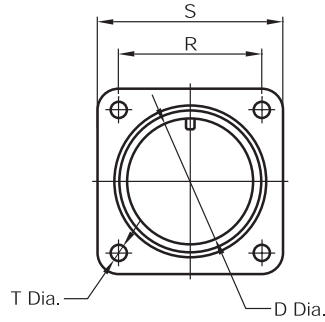


Units : mm

Shell Size	A Dia. +0.00 -0.15	D Dia. +0.30 -0.00	K ±0.30	L Max.	M +0.40 -0.00	R ±0.12	S ±0.78	T Dia. +0.25 -0.12	X Min. Cable Clearance
10SL	18.20	11.40	2.30	57.15	14.20	18.26	25.40	3.05	7.14
14S	24.60	17.30	2.30	57.15	14.20	23.01	30.18	3.05	10.32
16S	27.40	20.60	2.50	57.15	14.20	23.01	32.54	3.05	12.70
16	27.40	20.60	2.50	66.67	19.00	24.61	32.54	3.05	12.70
18	30.80	23.80	3.00	68.27	19.00	26.97	34.93	3.05	13.49
20	34.20	26.90	3.00	69.85	19.00	29.36	38.10	3.05	16.67
22	37.40	30.00	3.20	69.85	19.00	31.75	41.28	3.05	19.05
24	40.90	33.20	3.20	75.41	20.60	34.93	44.45	3.73	19.84
28	46.70	38.80	3.60	76.98	20.60	39.67	50.80	3.73	23.42
32	53.40	45.20	4.20	76.98	22.20	44.45	57.15	4.39	29.37
36	59.60	50.60	4.20	83.33	22.20	49.23	63.50	4.39	31.75

Bayonet Coupling Connector INB Series

INB3100 Class R

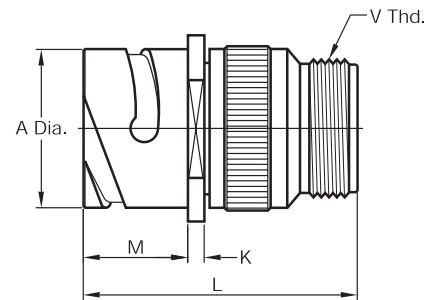
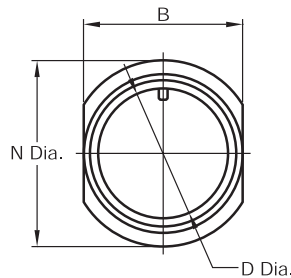


Units : mm

Shell Size	A Dia. +0.00 -0.15	D Dia. +0.30 -0.00	K ±0.30	L Max.	M +0.40 -0.00	R ±0.12	S ±0.78	T Dia. +0.25 -0.12	X Min. Cable Clearance
10SL	18.20	11.40	2.30	46.68	14.20	18.26	25.40	3.05	7.14
14S	24.60	17.30	2.30	46.68	14.20	23.01	30.18	3.05	10.32
16S	27.40	20.60	2.50	46.68	14.20	23.01	32.54	3.05	12.70
16	27.40	20.60	2.50	55.39	19.00	24.61	32.54	3.05	12.70
18	30.80	23.80	3.00	57.93	19.00	26.97	34.93	3.05	13.49
20	34.20	26.90	3.00	57.93	19.00	29.36	38.10	3.05	16.67
22	37.40	30.00	3.20	57.93	19.00	31.75	41.28	3.05	19.05
24	40.90	33.20	3.20	57.93	20.60	34.93	44.45	3.73	19.84
28	46.70	38.80	3.60	57.93	20.60	39.67	50.80	3.73	23.42
32	53.40	45.20	4.20	58.97	22.20	44.45	57.15	4.39	29.37
36	59.60	50.60	4.20	58.97	22.20	49.23	63.50	4.39	31.75

Cable Connecting Plug

INB3101 Class A

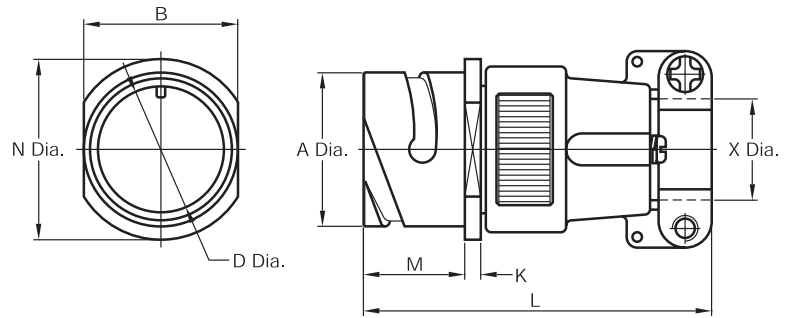


Units : mm

Shell Size	A Dia. +0.00 -0.15	B Approx	D Dia. +0.30 -0.00	K ±0.30	L Max.	M +0.40 -0.00	N Dia. Max.	V Thread Class 2A
10SL	18.20	16.40	11.40	2.30	38.88	14.20	24.61	5/8-24UNEF
14S	24.60	22.80	17.30	2.30	42.87	14.20	29.36	3/4-20UNEF
16S	27.40	25.90	20.60	2.50	42.87	14.20	31.75	7/8-20UNEF
16	27.40	25.90	20.60	2.50	52.37	19.00	31.75	7/8-20UNEF
18	30.80	29.00	23.80	3.00	52.37	19.00	34.13	1-20UNEF
20	34.20	32.20	26.90	3.00	55.57	19.00	37.31	1 3/16-18UNEF
22	37.40	35.40	30.00	3.20	55.57	19.00	40.48	1 3/16-18UNEF
24	40.90	38.60	33.20	3.20	58.72	20.60	43.66	1 7/16-18UNEF
28	46.70	45.00	38.80	3.60	58.72	20.60	50.01	1 7/16-18UNEF
32	53.40	51.30	45.20	4.20	61.92	22.20	56.36	1 3/4-18UNS
36	59.60	57.60	50.60	4.20	61.92	22.20	62.71	2 -18UNS

Bayonet Coupling Connector INB Series

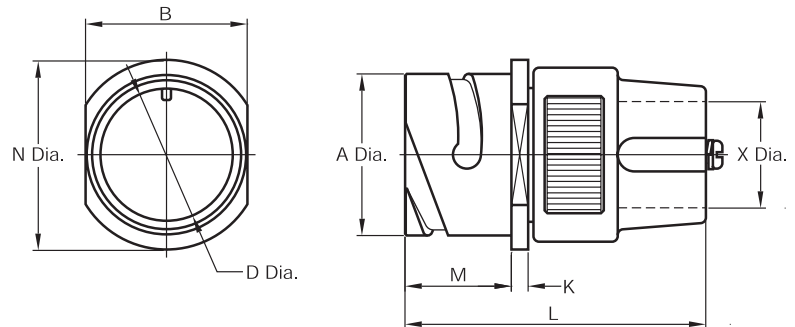
INB3101 Class E



Units : mm

Shell Size	A Dia. +0.00 -0.15	B Approx	D Dia. +0.30 -0.00	K ±0.30	L Max.	M +0.40 -0.00	N Dia. Max.	X Min. Cable Clearance
10SL	18.20	16.40	11.40	2.30	57.15	14.20	24.61	7.14
14S	24.60	22.80	17.30	2.30	57.15	14.20	29.36	10.32
16S	27.40	25.90	20.60	2.50	57.15	14.20	31.75	12.70
16	27.40	25.90	20.60	2.50	66.67	19.00	31.75	12.70
18	30.80	29.00	23.80	3.00	68.27	19.00	34.13	13.49
20	34.20	32.20	26.90	3.00	69.85	19.00	37.31	16.67
22	37.40	35.40	30.00	3.20	69.85	19.00	40.48	19.05
24	40.90	38.60	33.20	3.20	75.41	20.60	43.66	19.84
28	46.70	45.00	38.80	3.60	76.98	20.60	50.01	23.42
32	53.40	51.30	45.20	4.20	76.98	22.20	56.36	29.37
36	59.60	57.60	50.60	4.20	83.33	22.20	62.71	31.75

INB3101 Class R



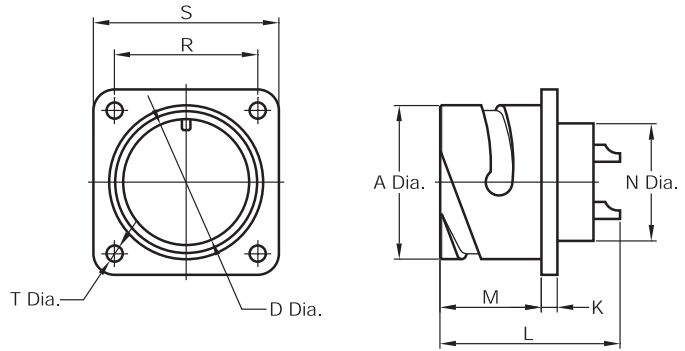
Units : mm

Shell Size	A Dia. +0.00 -0.15	B Approx	D Dia. +0.30 -0.00	K ±0.30	L Max.	M +0.40 -0.00	N Dia. Max.	X Min. Cable Clearance
10SL	18.20	16.40	11.40	2.30	46.68	14.20	24.61	7.14
14S	24.60	22.80	17.30	2.30	46.68	14.20	29.36	10.32
16S	27.40	25.90	20.60	2.50	46.68	14.20	31.75	12.70
16	27.40	25.90	20.60	2.50	55.39	19.00	31.75	12.70
18	30.80	29.00	23.80	3.00	57.93	19.00	34.13	13.49
20	34.20	32.20	26.90	3.00	57.93	19.00	37.31	16.67
22	37.40	35.40	30.00	3.20	57.93	19.00	40.48	19.05
24	40.90	38.60	33.20	3.20	57.93	20.60	43.66	19.84
28	46.70	45.00	38.80	3.60	57.93	20.60	50.01	23.42
32	53.40	51.30	45.20	4.20	58.97	22.20	56.36	29.37
36	59.60	57.60	50.60	4.20	58.97	22.20	62.71	31.75

Bayonet Coupling Connector INB Series

Box Mounting Receptacle

INB3102 Class A/E/R

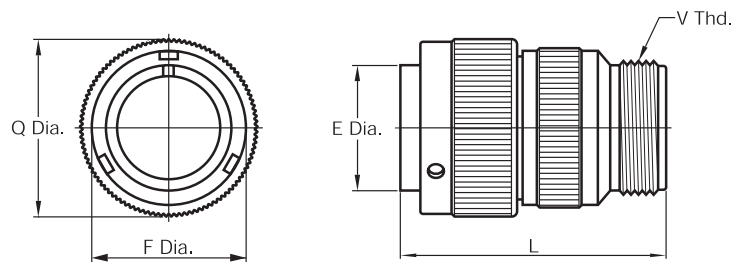


Units : mm

Shell Size	A Dia. +0.00 -0.15	D Dia. +0.30 -0.00	K ±0.30	L Max.	M +0.40 -0.00	N Dia. +0.00 -4.78	R ±0.12	S ±0.78	T Dia. +0.25 -0.12
10SL	18.20	11.40	2.30	30.25	14.20	19.86	18.26	25.40	3.05
14S	24.60	17.30	2.30	30.25	14.20	23.01	23.01	30.18	3.05
16S	27.40	20.60	2.50	30.25	14.20	26.21	23.01	32.54	3.05
16	27.40	20.60	2.50	44.45	19.00	26.21	24.61	32.54	3.05
18	30.80	23.80	3.00	49.22	19.00	29.36	26.97	34.93	3.05
20	34.20	26.90	3.00	49.22	19.00	32.56	29.36	38.10	3.05
22	37.40	30.00	3.20	49.22	19.00	35.71	31.75	41.28	3.05
24	40.90	33.20	3.20	49.22	20.60	38.91	34.93	44.45	3.73
28	46.70	38.80	3.60	49.22	20.60	45.26	39.67	50.80	3.73
32	53.40	45.20	4.20	49.22	22.20	51.61	44.45	57.15	4.39
36	59.60	50.60	4.20	49.22	22.20	57.96	49.23	63.50	4.39

Straight Plug

INB3106 Class A

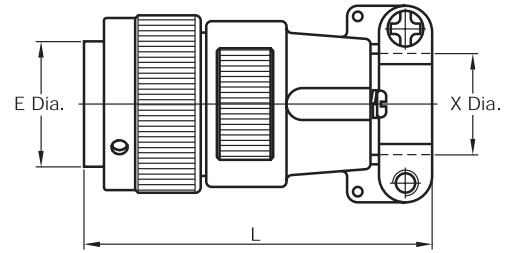
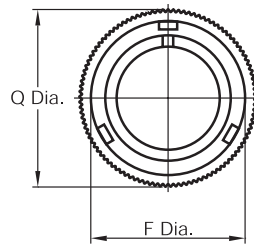


Units : mm

Shell Size	E Dia. +0.00 -0.38	F Dia. +0.20 -0.00	L Max.	Q Dia. Max.	V Thread Class 2A
10SL	11.32	18.40	38.88	22.80	5/8-24UNEF
14S	17.14	24.80	42.87	29.20	3/4-20UNEF
16S	20.44	27.60	42.87	32.00	7/8-20UNEF
16	20.44	27.60	52.37	32.00	7/8-20UNEF
18	23.62	31.10	52.37	36.50	1-20UNEF
20	26.67	34.50	55.57	39.90	1 3/16-18UNEF
22	29.84	37.70	55.57	43.10	1 3/16-18UNEF
24	33.02	41.20	58.72	46.60	1 7/16-18UNEF
28	38.60	47.00	58.72	53.40	1 7/16-18UNEF
32	44.95	53.70	61.92	60.10	1 3/4-18UNS
36	50.29	59.90	61.92	66.30	2 -18UNS

Bayonet Coupling Connector INB Series

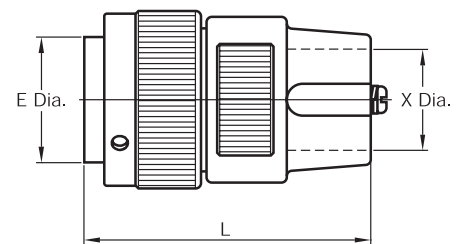
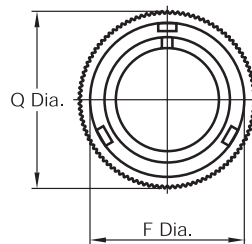
INB3106 Class E



Units : mm

Shell Size	E Dia. +0.00 -0.38	F Dia. +0.20 -0.00	L Max.	Q Dia. Max.	X Min. Cable Clearance
10SL	11.32	18.40	57.15	22.80	7.14
14S	17.14	24.80	57.15	29.20	10.32
16S	20.44	27.60	57.15	32.00	12.70
16	20.44	27.60	66.67	32.00	12.70
18	23.62	31.10	68.27	36.50	13.49
20	26.67	34.50	69.85	39.90	16.67
22	29.84	37.70	75.41	43.10	19.05
24	33.02	41.20	75.41	46.60	19.84
28	38.60	47.00	76.98	53.40	23.42
32	44.95	53.70	76.98	60.10	29.37
36	50.29	59.90	83.33	66.30	31.75

INB3106 Class R



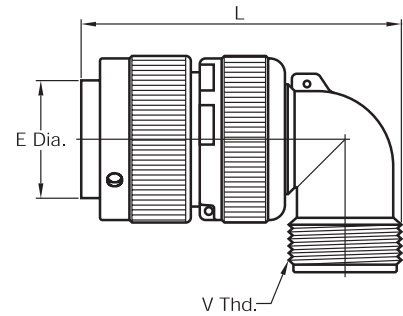
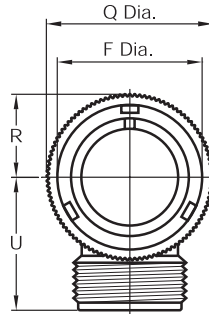
Units : mm

Shell Size	E Dia. +0.00 -0.38	F Dia. +0.20 -0.00	L Max.	Q Dia. Max.	X Min. Cable Clearance
10SL	11.32	18.40	46.68	22.80	7.14
14S	17.14	24.80	46.68	29.20	10.32
16S	20.44	27.60	46.68	32.00	12.70
16	20.44	27.60	55.39	32.00	12.70
18	23.62	31.10	57.93	36.50	13.49
20	26.67	34.50	57.93	39.90	16.67
22	29.84	37.70	57.93	43.10	19.05
24	33.02	41.20	57.93	46.60	19.84
28	38.60	47.00	57.93	53.40	23.42
32	44.95	53.70	58.97	60.10	29.37
36	50.29	59.90	58.97	66.30	31.75

Bayonet Coupling Connector INB Series

90° Angle Plug

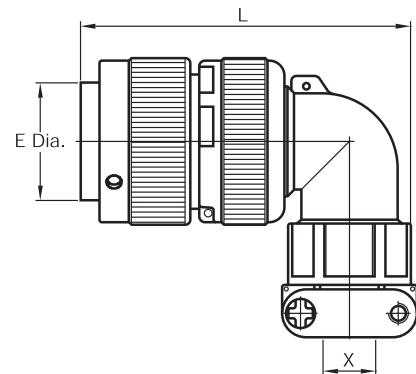
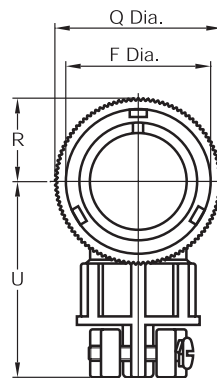
INB3108 Class A



Units : mm

Shell Size	E Dia. +0.00 -0.38	F Dia. +0.20 -0.00	L Max.	Q Dia. Max.	R Max.	U Max.	V Thread Class 2A
10SL	11.32	18.40	46.02	22.80	13.10	25.40	5/8-24UNEF
14S	17.14	24.80	53.97	29.20	15.87	28.57	3/4-20UNEF
16S	20.44	27.60	60.32	32.00	17.47	30.17	7/8-20UNEF
16	20.44	27.60	65.07	32.00	17.47	30.17	7/8-20UNEF
18	23.62	31.10	68.27	36.50	19.05	33.32	1-20UNEF
20	26.67	34.50	76.98	39.90	21.43	34.92	1 3/16-18UNEF
22	29.84	37.70	76.98	43.10	23.01	34.92	1 3/16-18UNEF
24	33.02	41.20	86.51	46.60	24.20	39.67	1 7/16-18UNEF
28	38.60	47.00	86.51	53.40	27.78	39.67	1 7/16-18UNEF
32	44.95	53.70	95.25	60.10	31.34	47.62	1 3/4-18UNS
36	50.29	59.90	100.02	66.30	34.51	52.37	2 -18UNS

INB3108 Class E/R



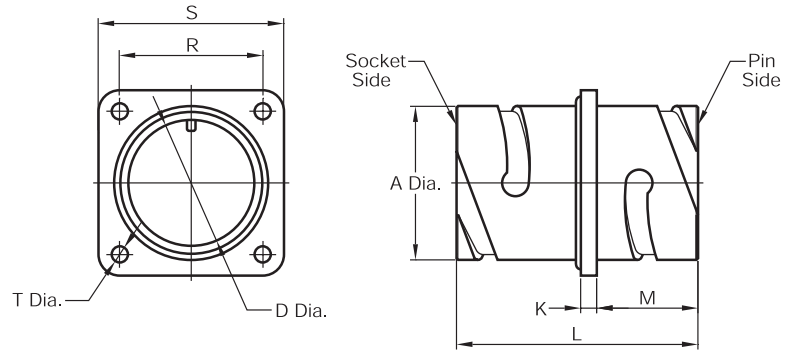
Units : mm

Shell Size	E Dia. +0.00 -0.38	F Dia. +0.20 -0.00	L Max.	Q Dia. Max.	R Max.	U Max.	X Min. Cable Clearance
10SL	11.32	18.40	55.57	22.80	13.10	38.10	7.14
14S	17.14	24.80	58.72	29.20	15.87	40.48	10.32
16S	20.44	27.60	61.11	32.00	17.47	42.87	12.70
16	20.44	27.60	70.63	32.00	17.47	42.87	12.70
18	23.62	31.10	72.23	36.50	19.05	45.23	13.49
20	26.67	34.50	82.55	39.90	21.43	50.01	16.67
22	29.84	37.70	82.55	43.10	23.01	50.80	19.05
24	33.02	41.20	94.46	46.60	24.20	53.97	19.84
28	38.60	47.00	94.46	53.40	27.78	55.57	23.42
32	44.95	53.70	106.37	60.10	31.34	65.88	29.37
36	50.29	59.90	109.14	66.30	34.51	69.06	31.75

Bayonet Coupling Connector INB Series

Thru-Bulkhead Receptacle

INB3109 Class A/E/R

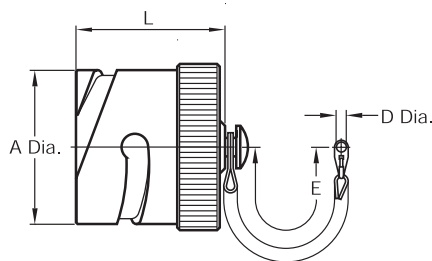


Units : mm

Shell Size	A Dia. +0.00 -0.15	D Dia. +0.30 -0.00	K ±0.30	L Max.	M +0.40 -0.00	R ±0.12	S ±0.78	T Dia. +0.25 -0.12
10SL	18.20	11.40	2.30	37.50	14.20	18.26	25.40	3.05
14S	24.60	17.30	2.30	37.50	14.20	23.01	30.18	3.05
16S	27.40	20.60	2.50	37.50	14.20	23.01	32.54	3.05
16	27.40	20.60	2.50	51.40	19.00	24.61	32.54	3.05
18	30.80	23.80	3.00	51.40	19.00	26.97	34.93	3.05
20	34.20	26.90	3.00	51.40	19.00	29.36	38.10	3.05
22	37.40	30.00	3.20	51.40	19.00	31.75	41.28	3.05
24	40.90	33.20	3.20	51.40	20.60	34.93	44.45	3.73
28	46.70	38.80	3.60	51.40	20.60	39.67	50.80	3.73
32	53.40	45.20	4.20	51.40	22.20	44.45	57.15	4.39
36	59.60	50.60	4.20	51.40	22.20	49.23	63.50	4.39

Plug Protection Cover

INB25042

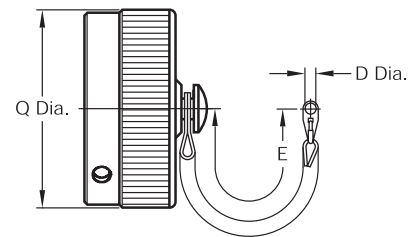


Units : mm

Shell Size	A Dia. +0.00 -0.15	D Dia. +0.25 -0.12	E ±One Link	L Max.
10SL	18.20	3.96	101.6	29.00
14S	24.60	3.96	120.0	29.00
16S	27.40	3.96	120.0	29.00
16	27.40	3.96	120.0	37.00
18	30.80	3.96	120.0	37.00
20	34.20	4.75	127.0	37.00
22	37.40	4.75	127.0	37.00
24	40.90	4.75	139.7	37.00
28	46.70	4.75	196.8	37.00
32	53.40	5.54	196.8	37.00
36	59.60	5.54	196.8	37.00

Receptacle Protection Cover

INB25043

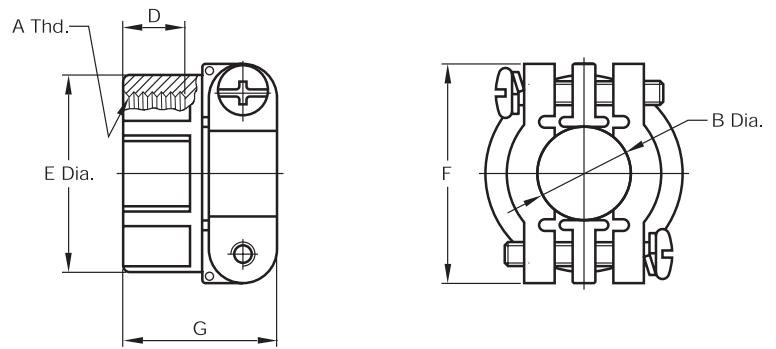


Units : mm

Shell Size	Q Dia. Max.	D Dia. +0.25 -0.12	E ±One Link
10SL	18.20	3.56	101.6
14S	24.60	3.56	120.0
16S	27.40	3.56	120.0
16	27.40	3.56	120.0
18	30.80	3.56	120.0
20	34.20	3.56	127.0
22	37.40	3.56	127.0
24	40.90	4.34	139.7
28	46.70	4.34	196.8
32	53.40	4.75	196.8
36	59.60	4.75	196.8

Bayonet Coupling Connector INB Series

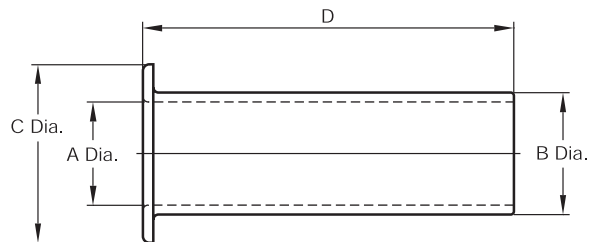
Cable Clamp INC3057 (MS3057)



Units : mm

Dash No.	Connector Shell Size	A Thread Class 2B	B Max. Wire Bundle Accommodation	D	E Dia. ±0.78	F ±0.78	G ±0.78
-4A	10SL	.625-24UNEF	7.92	10.31	20.62	22.23	20.62
-6A	14S	.750-20UNEF	11.12	10.31	24.61	26.97	22.23
-8A	16S, 16	.875-20UNEF	14.27	10.31	27.79	29.36	23.83
-10A	18	1.000-20UNEF	15.87	10.31	30.18	31.75	23.83
-12A	20, 22	1.188-18UNEF	19.05	10.31	34.94	37.31	23.83
-16A	24, 28	1.438-18UNEF	23.82	10.31	42.06	42.88	26.19
-20A	32	1.750-18UNS	31.75	11.91	51.59	51.59	27.79
-24A	36	2.000-18UNS	34.92	13.49	56.36	57.94	29.36

Rubber Bushing INC3420 (MS3420)



Units : mm

Dash No.	Connector Shell Size	A Dia.	B Dia.	C Dia.	D
-4	10SL	5.59	7.67	12.83	69.85
-6	14S	7.92	10.85	15.72	66.68
-8	16S, 16	11.10	14.02	18.90	63.50
-10	18	14.27	15.62	22.58	60.33
-12	20, 22	15.83	18.80	27.53	57.15
-16	24, 28	19.05	23.55	33.38	53.98
-20	32	23.80	31.50	40.59	50.80
-24	36	31.75	34.67	46.91	47.63

Bayonet Coupling Connector INB Series

Insert Arrangements Table

Insert arrangement	Service Rating		No. Of Contact	Contact Size				
				0	4	8	12	16
10SL-3	All	A	3					3
10SL-4	All	A	2					2
14S-1	All	A	3					3
14S-2	All	INST	4					4
14S-4	-	D	1					1
14S-5	All	INST	5					5
14S-6	All	INST	6					6
14S-7	All	A	3					3
14S-9	All	A	2					2
16S-1	All	A	7					7
16-2	-	E	1				1	
16S-3	-	B	1					1
16S-4	All	D	2					2
16S-5	All	A	3					3
16S-6	All	A	3					3
16-7	All	A	3			1		2
16S-8	All	A	5					5
16-9	All	A	4				2	2
16-10	All	A	3				3	
16-11	All	A	2				2	
16-12	-	A	1		1			
16-13	All	A	2				2	
18-1	B, C, F, G	A	10					10
	All Others	INST	0					
18-3	All	D	2				2	
18-4	All	D	4					4
18-5	All	D	3				2	1
18-6	-	D	1		1			
18-7	-	B	1			1		
18-8	All	A	8				1	7
18-9	All	INST	7				2	5
18-10	All	A	4				4	
18-11	All	A	5				5	
18-12	All	A	6					6
18-13	All	A	4			1	3	
18-14	All	A	2		1			1
18-15	All	A	4				4	
18-16	-	C	1				1	
18-20	All	A	5					5
18-22	All	D	3					3
18-29	All	A	5					5
20-2	-	D	1	1				
20-3	All	D	3				3	
20-4	All	D	4				4	
20-5	All	E	2					2
20-6	All	D	3					3
20-7	A, B, G, H	D	8					8
	All Others	A						
20-8	All	INST	6			2		4
20-9	H	D	8				1	7
	All Others	A						
20-11	All	INST	13					13
20-12	All	A	2		1			1
20-13	All	A	4					4
20-14	All	A	5			2	3	
20-15	All	A	7					7
20-16	All	A	9				2	7
20-17	All	A	6				5	1
20-18	All	A	9				3	6
20-19	All	A	3			3		
20-20	All	A	4		1		3	
20-21	All	A	9				1	8
20-22	All	A	6			3		3
20-23	All	A	2			2		
20-24	All	A	4			2		2
20-27	All	A	14					14
20-29	All	A	17					17
20-31	All	A	11					11
20-33	All	A	11					11
22-1	All	D	2			2		
22-2	All	D	3			3		
22-3	All	D	2		1			1
22-4	All	A	4			2	2	
22-5	All	D	6				2	4
22-6	All	D	3			2		1
22-7	-	E	1	1				
22-8	All	E	2				2	
22-9	All	E	3				3	
22-10	All	E	4					4
22-11	All	B	2					2
22-12	All	D	5			2		3
22-13	E	D	5				4	1
	All Others	A						
22-14	All	A	19					19
22-15	D	E	6				5	1
	All Others	A						
22-16	All	A	9				3	6

Bayonet Coupling Connector INB Series

Insert Arrangements Table

Insert arrangement	Service Rating		No. Of Contact	Contact Size				
				0	4	8	12	16
22-17	A	D	9				1	8
	All Others	A						
22-18	C, D, E	A	8					8
	All Others	D						
22-19	All	A	14					14
22-20	All	A	9					9
22-21	All	A	3	1				2
22-22	All	A	4			4		
22-23	H	D	8				8	
	All Others	A						
22-24	C, D, E	D	6				2	4
	All Others	A						
22-25	All	A	3	1				2
22-27	J	D	9			1		8
	All Others	A						
22-28	All	A	7				7	
22-29	All	A	7		1			6
22-33	E, F, G	A	7					7
	All Others	D						
22-34	All	D	5				3	2
22-36	H	D	8				8	
	All Others	A						
24-1	All	D	2	1			1	
24-2	All	D	7				7	
24-3	All	D	7				2	5
24-4	All	D	4	1				3
24-6	A, G, H	D	8				8	
	All Others	A						
24-5	All	A	16					16
24-7	All	A	16				2	14
24-9	All	A	2		2			
24-10	All	A	7			7		
24-11	All	A	9			3	6	
24-12	All	A	5		2		3	
24-14	All	A	3	1			2	
24-16	A, B, F, G	D	7			1	3	3
	All Others	A						
24-17	All	D	5				2	3
24-20	All	D	11				2	9
24-21	All	D	10			1		9
24-22	All	D	4			4		
24-23	All	D	5			3		2
24-27	All	E	7					7
24-28	All	INST	24					24
24-80	All	INST	23					23
28-1	A, E, J	D	9			3	6	
	All Others	A						
28-2	All	D	14				2	12
28-3	All	E	3			3		
28-4	G, P, S	E	9				2	7
	All Others	D						
28-5	All	D	5		2		1	2
28-6	All	D	3		3			
28-8	L, M	E	12					
	B	D					2	10
	All Others	A						
28-9	All	D	12				6	6
28-10	G	D	7					
	All Others	A			2	2	3	
28-11	All	A	22				4	18
28-12	All	A	26					26
28-14	All	D	11					11
28-15	All	A	35					35
28-16	All	A	20					20
28-17	R	B	15					
	M, N, P	D						15
	All Others	A						
28-18	M	C	12					
	A, B	A						12
	C, D, E, F	INST						
	All Others	D						
28-19	H, M	B	10					
	A, B	D					4	6
All Others	A							
28-20	All	A	14				10	4
28-21	All	A	37					37
28-22	All	D	6		3			3
32-1	A	E	5	2			3	
	All Others	D						
32-2	All	E	5		3		2	
32-3	All	D	9	1	2		2	4
32-4	All Others	D	14				2	12
	F, J, K, N	A						
32-5	All	D	2	2				
32-6	All	A	23		2	3	2	16
32-7	A, B, h, j	INST	35				7	28
	All Others	A						
32-8	All	A	30				6	24

Bayonet Coupling Connector INB Series

Insert Arrangements Table

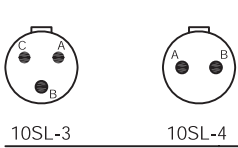
Insert arrangement	Service Rating		No. Of Contact	Contact Size				
				0	4	8	12	16
32-9	All	D	14		2			12
32-12	C, D, E, F, G	A	15				5	10
	All Others	D						
32-13	All	D	23				5	18
32-14	All	D	7		2		5	
32-15	All	D	8	2			6	
32-17	All	D	4		4			
32-22	All	A	54					54
32-63	All	D	5		5			
32-73	All	A	46					46
36-1	All	D	22				4	18
36-3	All	D	6	3			3	
36-4	A	D	3	3				
	All Others	A						
36-5	All	A	4	4				
36-6	All	A	6	2	4			
36-7	All	A	47				7	40
36-8	All	A	47				1	46
36-9	All	A	31		1	2	14	14
36-10	All	A	48					48
36-13	N, P, Q	E	17				2	15
	All Others	A						
36-14	All	D	16			5	5	6
36-15	M	D	35					35
	All Others	A						
36-19	All	D	17	1	1		5	10
36-52	All	A	52					52
36-66	All	A	56				4	52

Bayonet Coupling Connector INB Series

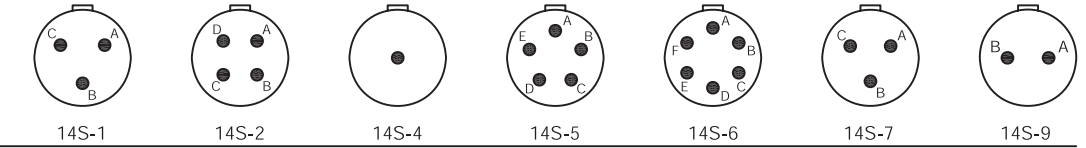
Contact Arrangements



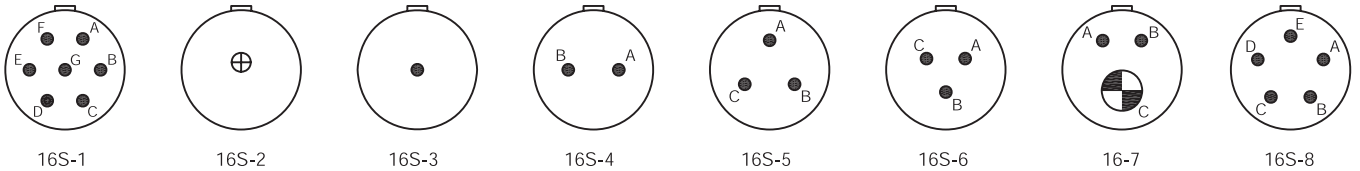
Shell Size 10SL



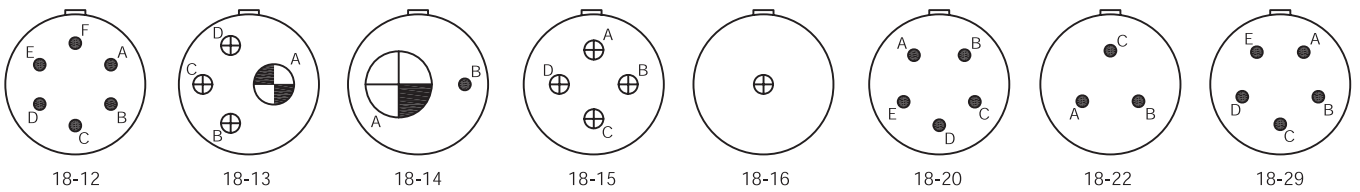
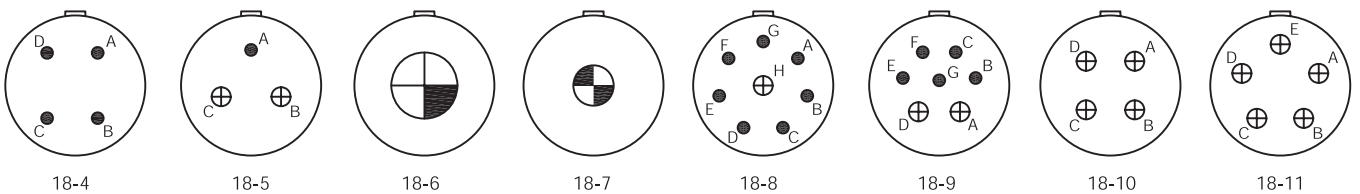
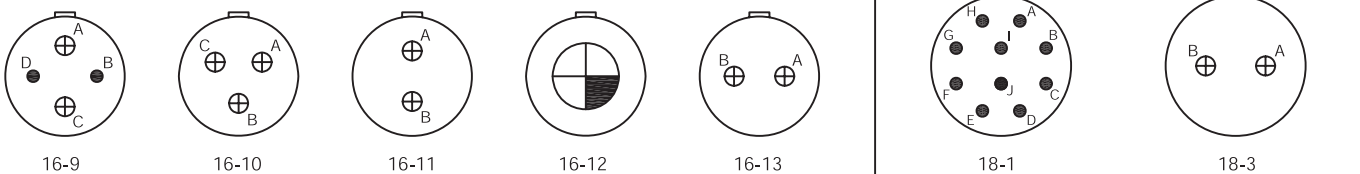
Shell Size 14S



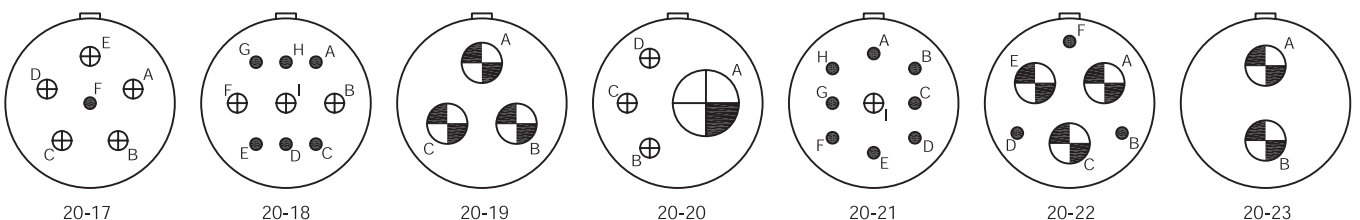
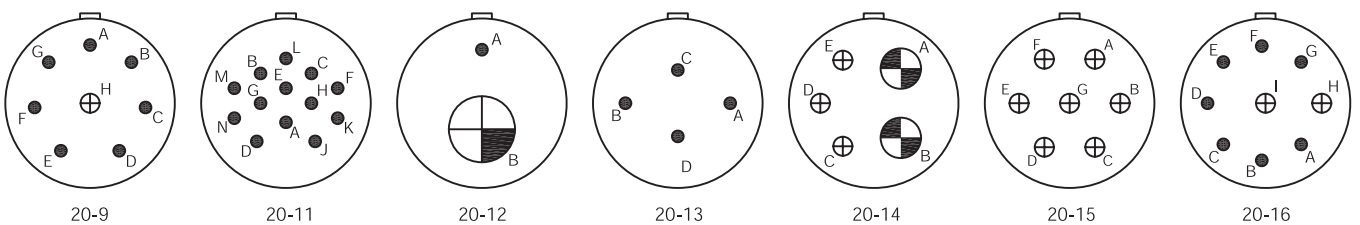
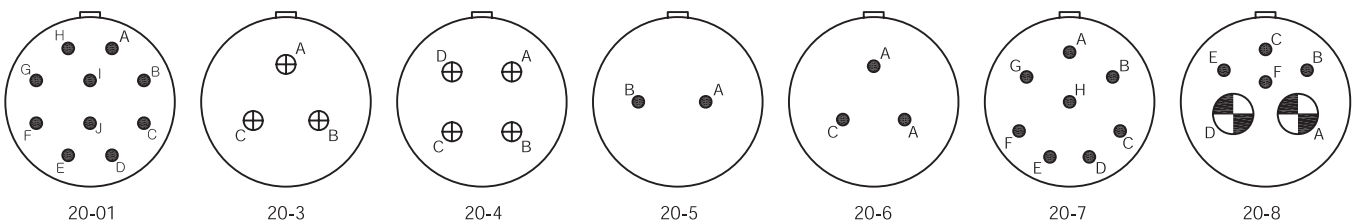
Shell Size 16S & 16



Shell Size 18



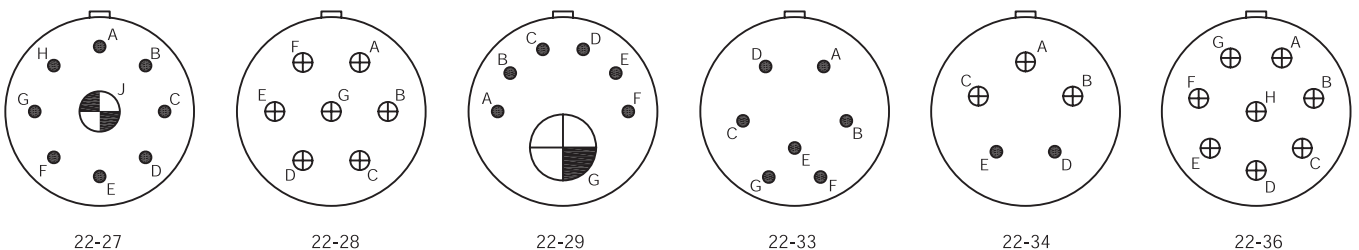
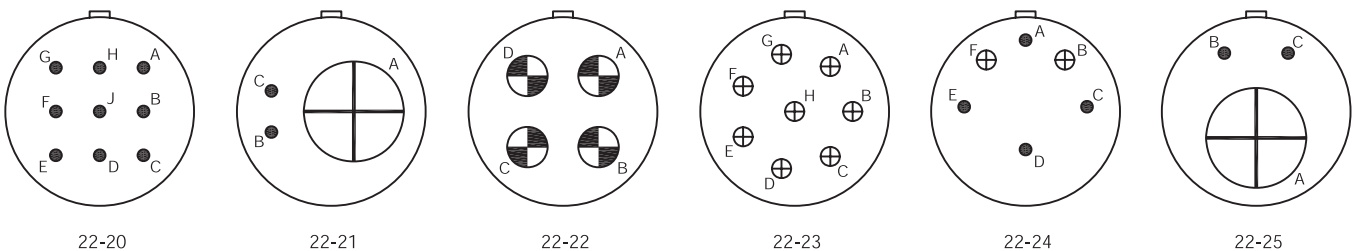
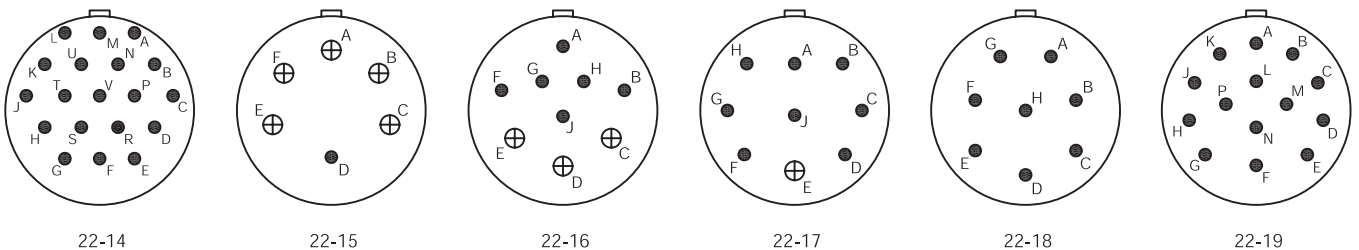
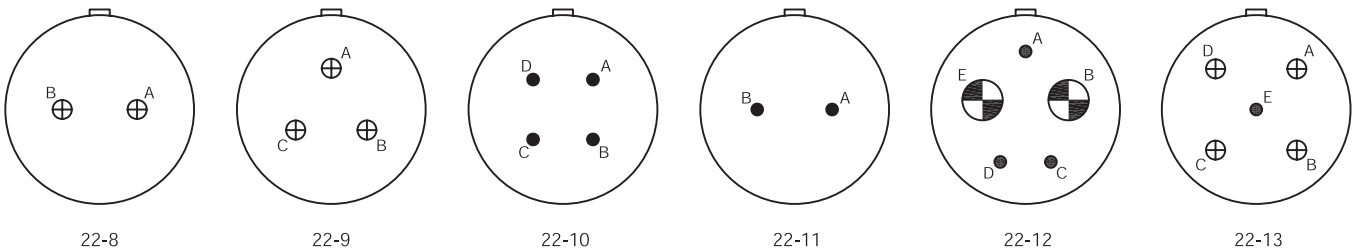
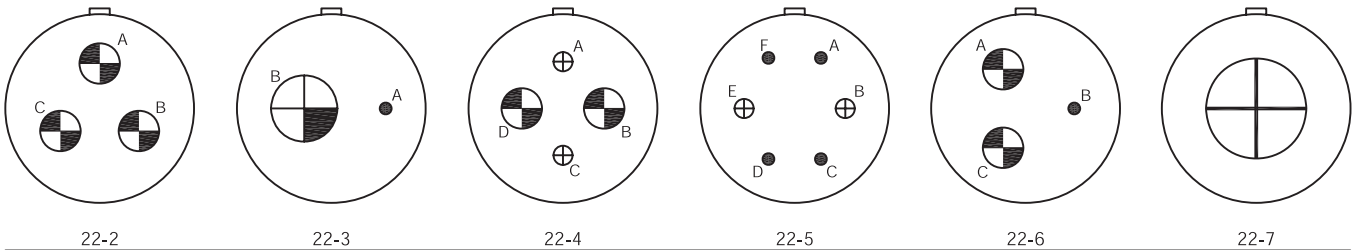
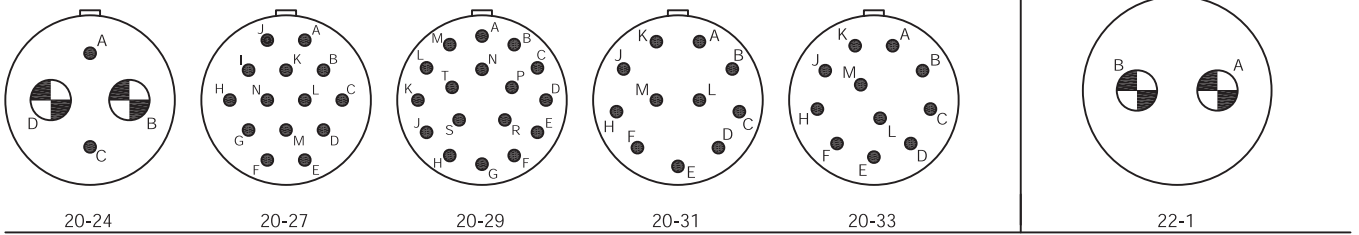
Shell Size 20



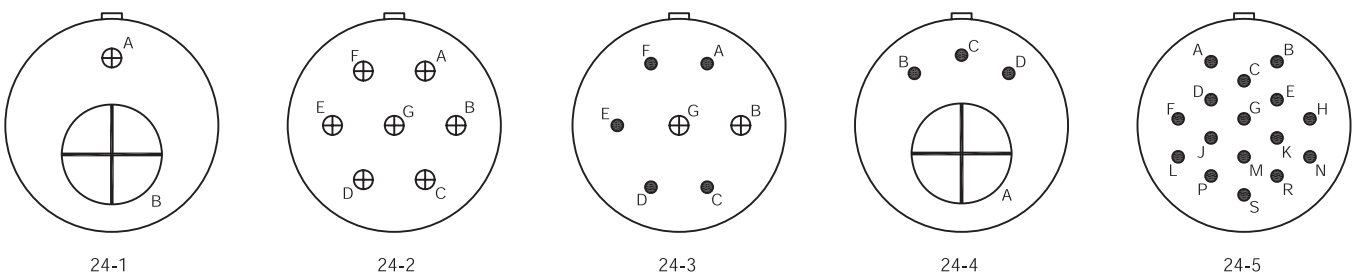
Bayonet Coupling Connector INB Series

Contact Arrangements

Shell Size 22

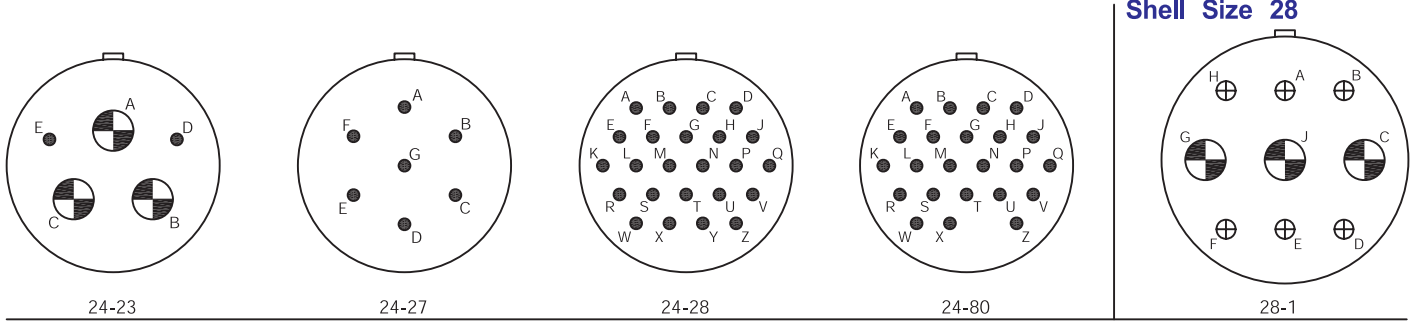
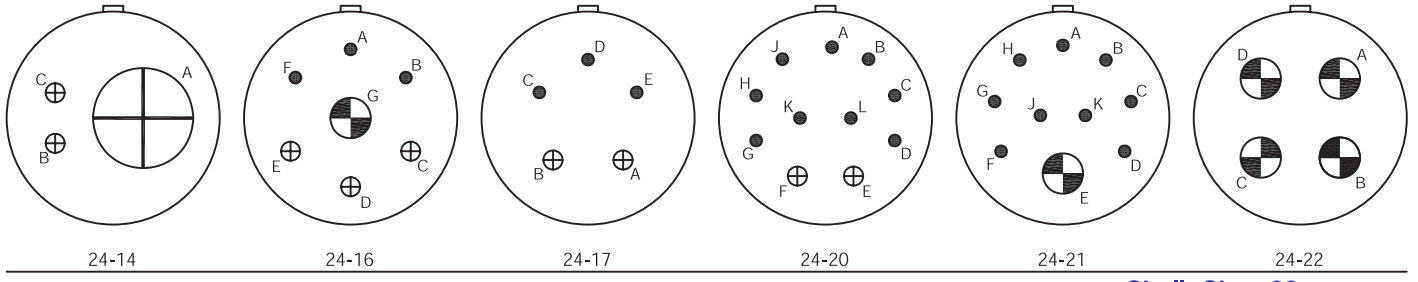
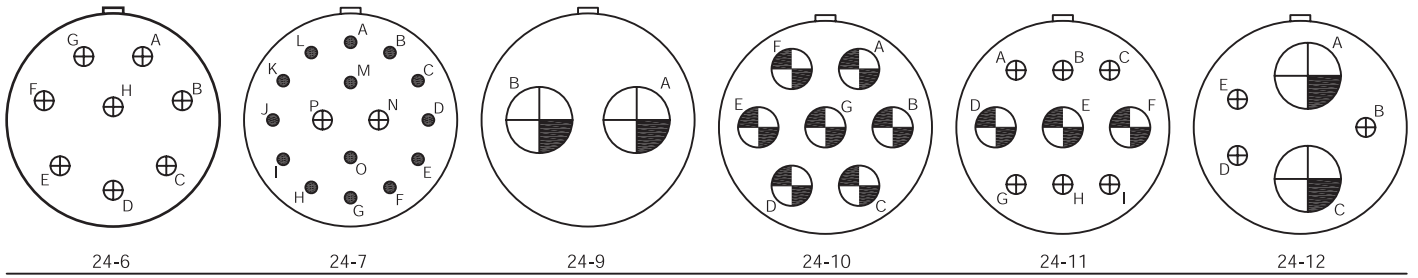


Shell Size 24

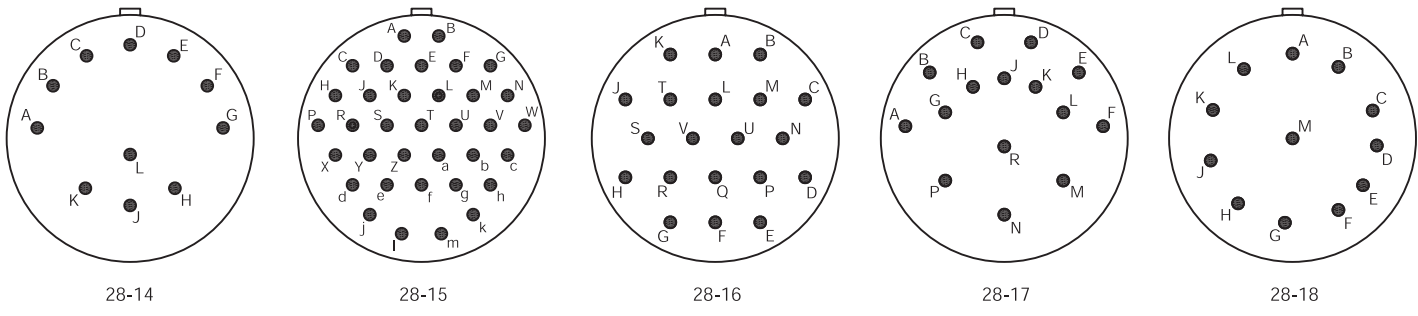
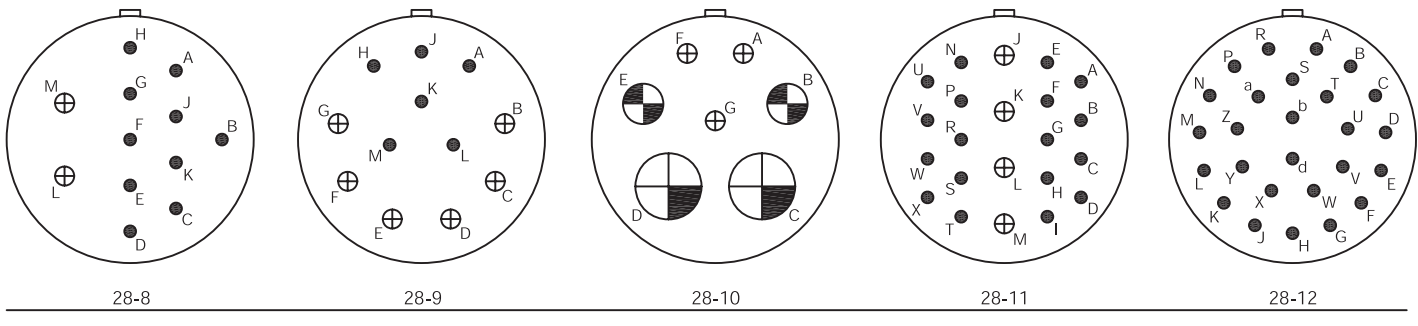
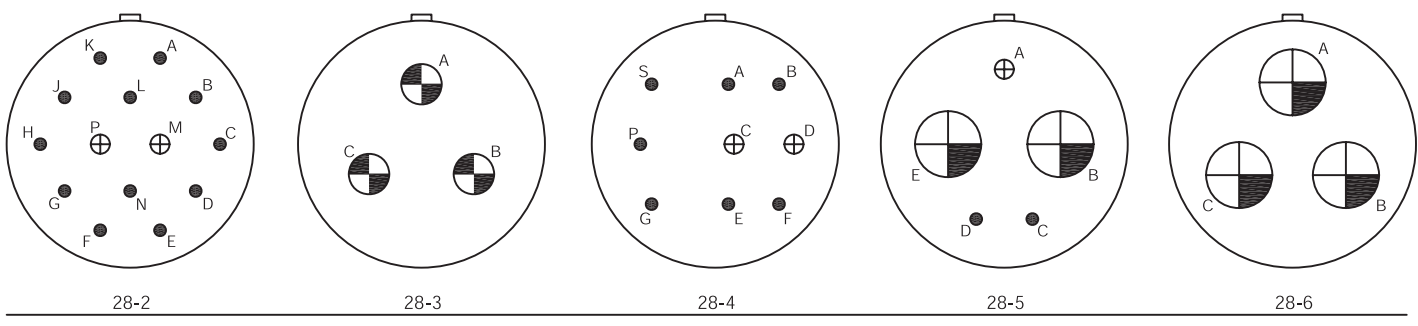


Bayonet Coupling Connector INB Series

Contact Arrangements



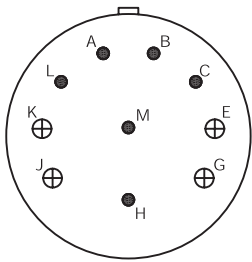
Shell Size 28



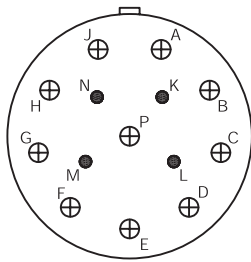
Bayonet Coupling Connector INB Series

Contact Arrangements

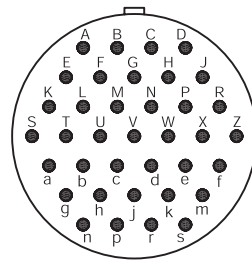
Shell Size 32



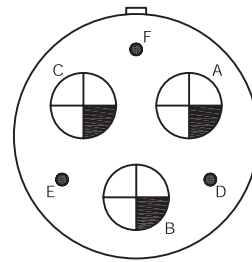
28-19



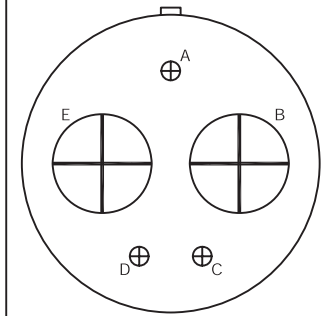
28-20



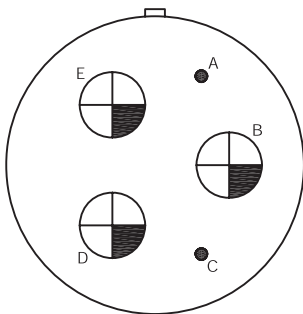
28-21



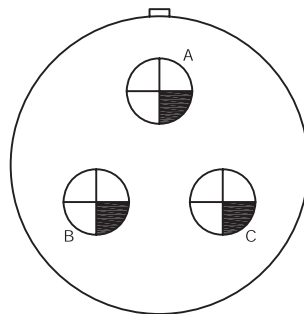
28-22



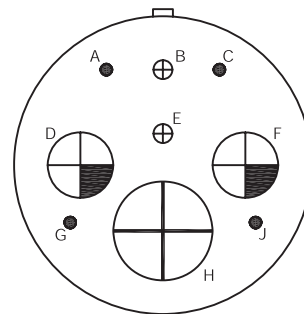
32-1



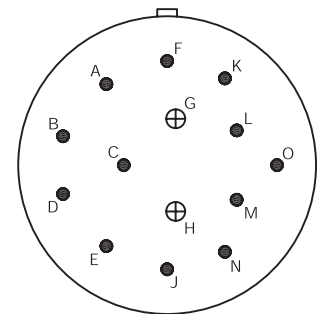
32-2



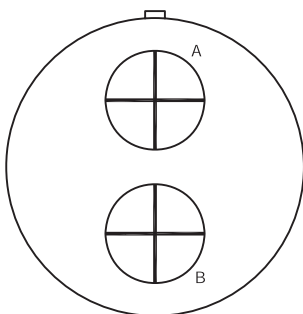
32-03



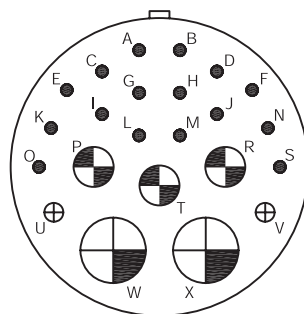
32-3



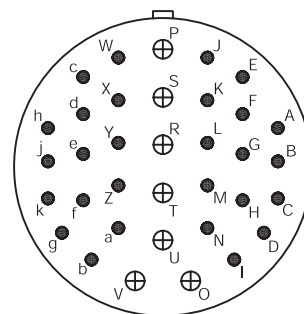
32-4



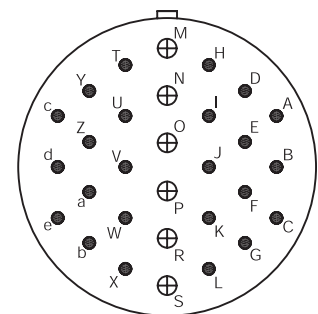
32-5



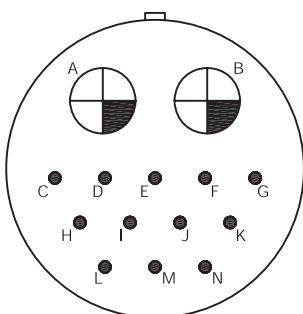
32-6



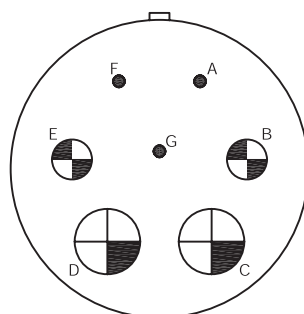
32-7



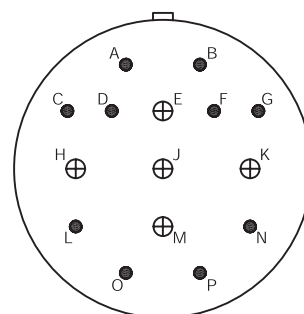
32-8



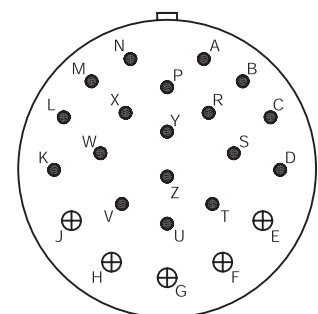
32-9



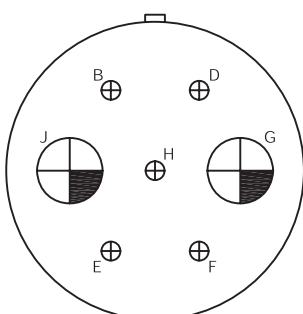
32-10



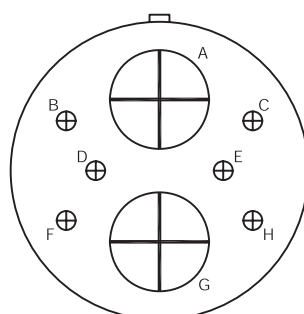
32-12



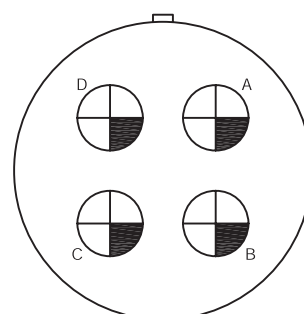
32-13



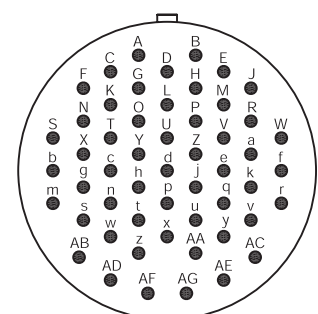
32-14



32-15



32-17

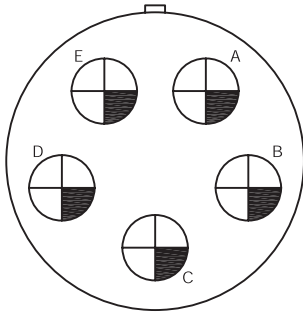


32-22

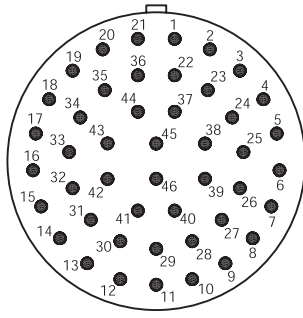
Bayonet Coupling Connector INB Series

Contact Arrangements

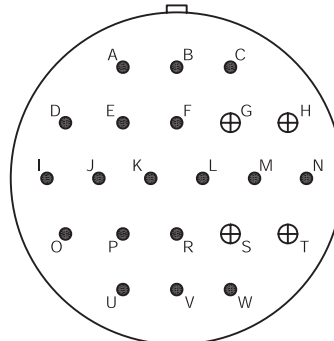
Shell Size 36



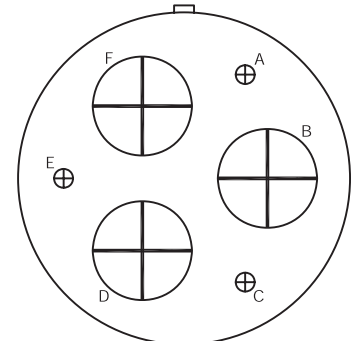
32-63



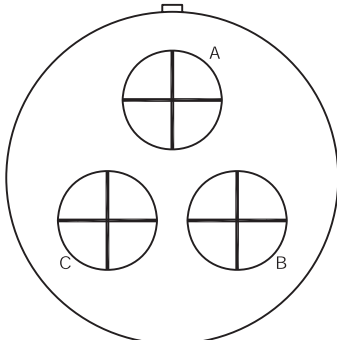
32-73



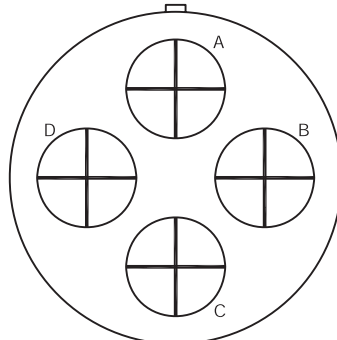
36-1



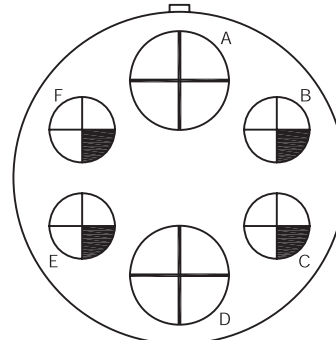
36-3



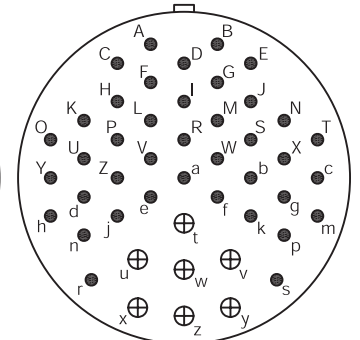
36-4



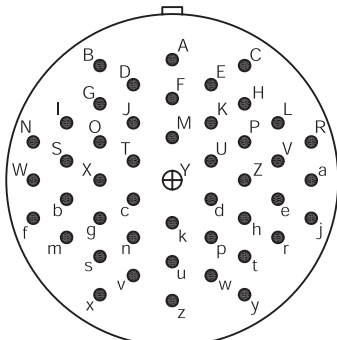
36-5



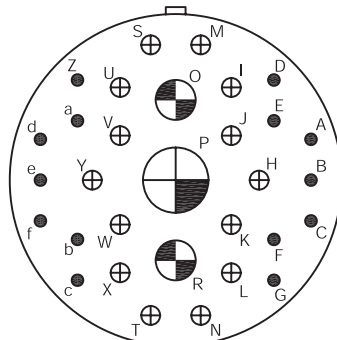
36-6



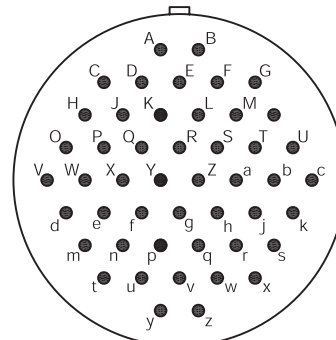
36-7



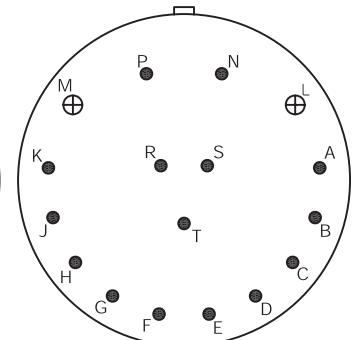
36-8



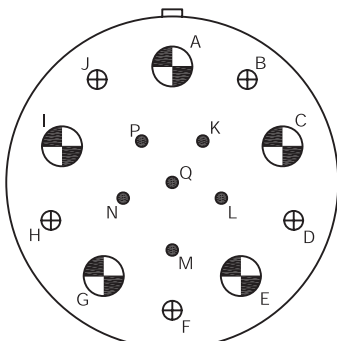
36-9



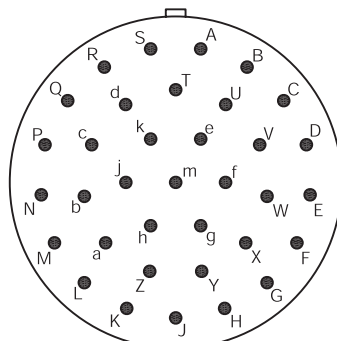
36-10



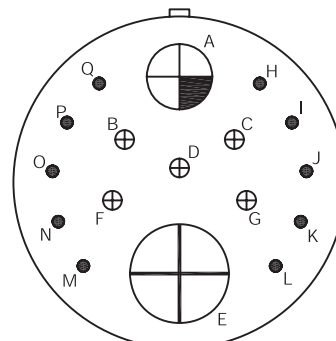
36-13



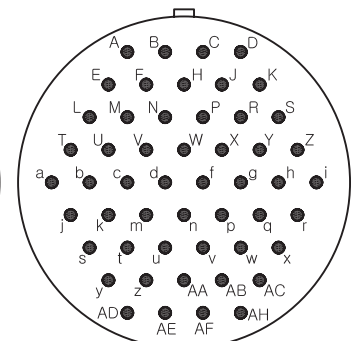
36-14



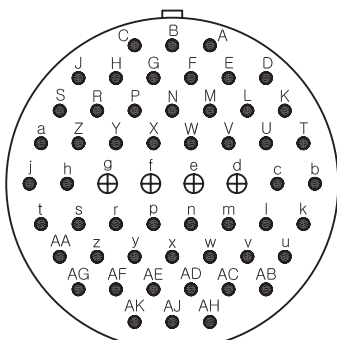
36-15



36-19



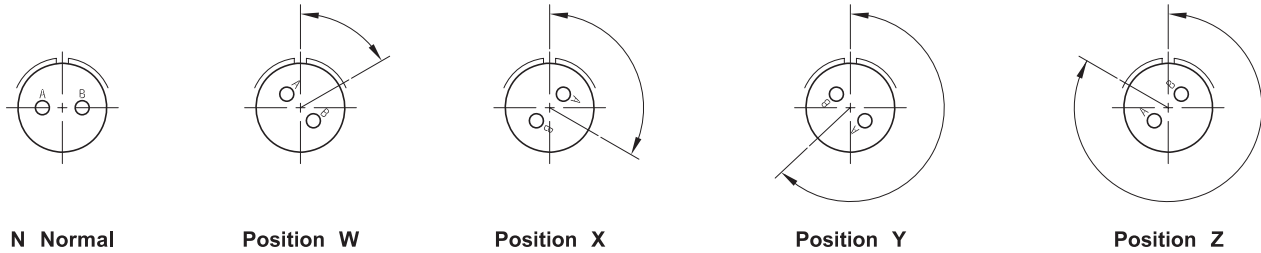
36-52



36-66

Bayonet Coupling Connector INB Series

Alternate Insert Position



Views looking into front face of pin insert or rear face of socket insert.

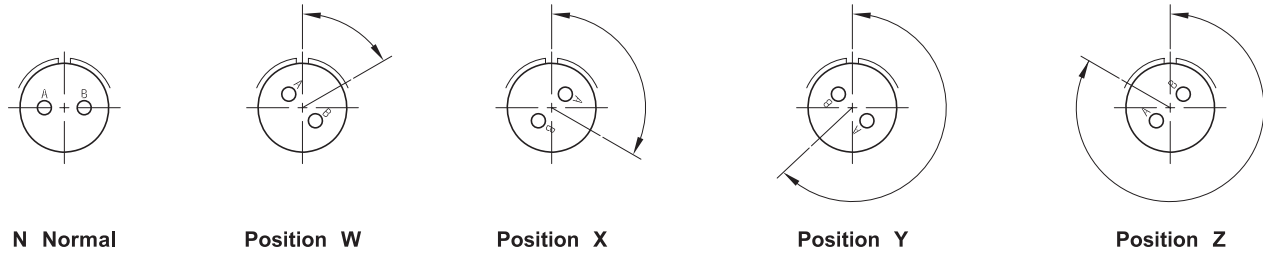
Insert arrangement	Alternate Position			
	W	X	Y	Z
10SL-3	-	-	-	-
10SL-4	-	-	-	-
14S-1	-	-	-	-
14S-2	-	120	240	-
14S-4	-	-	-	-
14S-5	-	110	-	-
14S-6	-	-	-	-
14S-7	90	180	270	-
14S-9	70	145	215	290
16S-1	80	-	-	280
16-2	-	-	-	-
16S-3	-	-	-	-
16S-4	35	110	250	325
16S-5	70	145	215	290
16S-6	90	180	270	-
16-7	80	110	250	280
16S-8	-	170	265	-
16-9	35	110	250	325
16-10	90	180	270	-
16-11	35	110	250	325
16-12	-	-	-	-
16-13	35	110	250	325
18-1	70	145	215	290
18-3	35	110	250	325
18-4	35	110	250	325
18-5	80	110	250	280
18-6	-	-	-	-
18-7	-	-	-	-
18-8	70	-	-	290
18-9	80	110	250	280
18-10	-	120	240	-
18-11	-	170	265	-
18-12	80	-	-	280
18-13	80	110	250	280
18-14	80	110	250	280

Insert arrangement	Alternate Position			
	W	X	Y	Z
18-15	-	120	240	-
18-16	-	-	-	-
18-20	90	180	270	-
18-22	70	145	215	290
18-29	90	180	270	-
20-2	-	-	-	-
20-3	70	145	215	290
20-4	45	110	250	-
20-5	35	110	250	325
20-6	70	145	215	290
20-7	80	110	250	280
20-8	80	110	250	280
20-9	80	110	250	280
20-11	-	-	-	-
20-12	80	110	250	280
20-13	-	-	-	-
20-14	80	110	250	280
20-15	80	-	-	280
20-16	80	110	250	280
20-17	90	180	270	-
20-18	35	110	250	325
20-19	90	180	270	-
20-20	80	110	250	280
20-21	35	110	250	325
20-22	80	110	250	280
20-23	35	110	250	325
20-24	35	110	250	325
20-27	35	110	250	325
20-29	80	-	-	280
20-31	-	-	-	-
20-33	-	-	-	-
22-1	35	110	250	325
22-2	70	145	215	290
22-3	80	110	250	280
22-4	35	110	250	325

Insert arrangement	Alternate Position			
	W	X	Y	Z
22-5	35	110	250	325
22-6	80	110	250	280
22-7	-	-	-	-
22-8	35	110	250	325
22-9	70	145	215	290
22-10	35	110	250	325
22-11	35	110	250	325
22-12	80	110	250	280
22-13	35	110	250	325
22-14	80	110	250	280
22-15	80	110	250	280
22-16	80	110	250	280
22-17	80	110	250	280
22-18	80	110	250	280
22-19	80	110	250	280
22-20	35	110	250	325
22-21	80	110	250	280
22-22	-	110	250	-
22-23	35	-	250	-
22-24	80	110	250	280
22-25	80	110	250	280
22-27	80	-	250	280
22-28	80	-	-	280
22-29	80	110	250	280
22-33	80	110	250	280
22-34	80	110	250	280
22-36	90	-	270	-
24-1	80	110	250	280
24-2	80	-	-	280
24-3	80	110	250	280
24-4	80	110	250	280
24-6	80	110	250	280
24-5	80	110	250	280
24-7	80	110	250	280
24-9	35	110	250	325

Bayonet Coupling Connector INB Series

Alternate Insert Position



Views looking into front face of pin insert or rear face of socket insert.

Insert arrangement	Alternate Position			
	W	X	Y	Z
24-10	80	-	-	280
24-11	35	110	250	325
24-12	80	110	250	280
24-14	80	110	250	280
24-16	80	110	250	280
24-17	80	110	250	280
24-20	80	110	250	280
24-21	80	110	250	280
24-22	45	110	250	-
24-23	80	110	250	280
24-27	80	-	-	280
24-28	80	110	250	280
24-80	35	145	240	300
28-1	80	110	250	280
28-2	35	110	250	325
28-3	70	145	215	290
28-4	80	110	250	280
28-5	35	110	250	325
28-6	70	145	215	290
28-8	80	110	250	280
28-9	80	110	250	280
28-10	80	110	250	280

Insert arrangement	Alternate Position			
	W	X	Y	Z
28-11	80	110	250	280
28-12	90	180	270	-
28-14	80	110	250	280
28-15	80	110	250	280
28-16	80	110	250	280
28-17	80	110	250	280
28-18	70	145	215	290
28-19	80	110	250	280
28-20	80	110	250	280
28-21	80	110	250	280
28-22	70	145	215	290
32-1	80	110	250	280
32-2	70	145	215	290
32-3	80	110	250	280
32-4	80	110	250	280
32-6	80	110	250	280
32-7	80	125	235	280
32-8	80	125	235	280
32-9	80	110	250	280
32-12	80	110	250	280
32-13	80	110	250	280
32-14	35	110	250	325

Insert arrangement	Alternate Position			
	W	X	Y	Z
32-15	35	110	250	280
32-17	45	110	250	-
32-22	80	110	250	280
32-63	-	-	-	-
32-73	36	-	-	-
36-1	80	110	250	280
36-3	70	145	215	290
36-4	70	145	215	290
36-5	-	120	240	-
36-6	35	110	250	325
36-7	80	110	250	280
36-8	80	110	250	280
36-9	80	125	235	280
36-10	80	125	235	280
36-13	80	110	250	280
36-14	90	180	270	-
36-15	60	125	245	305
36-19	80	110	250	280
36-52	72	144	216	288
36-66	110	250	260	280



International Network Connector

706-7, Jakjeon-3dong, Gyeyang-gu
Incheon, Korea

TEL : 82-32 - 545 - 1411 ~ 3

FAX : 82-32 - 545 - 1417

http : //www.inconnector.co.kr



ISO 9001



ISO 14001